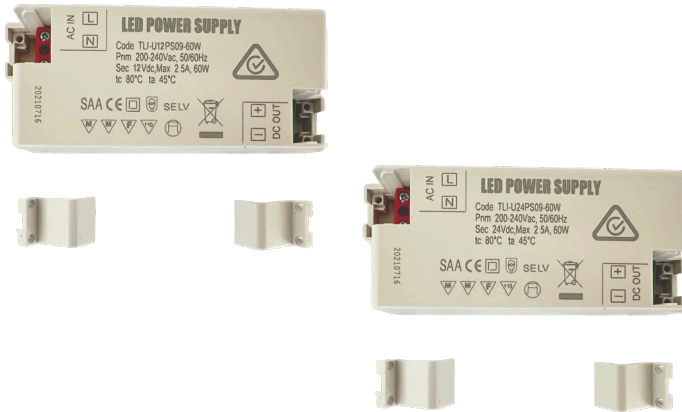


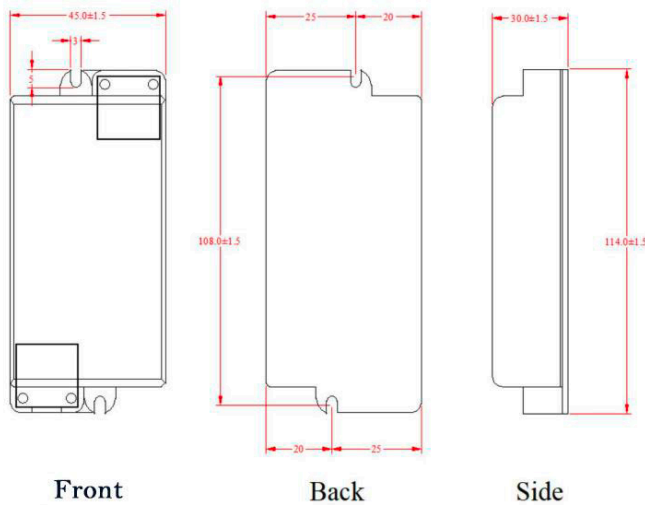
# TLI-U12/24PS09-60W IP20 LED DRIVER



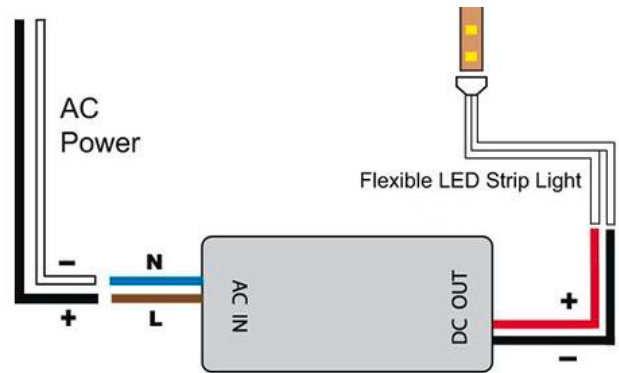
## TECHNICAL

Material	Plastic
Input Voltage	240v AC
Output Voltage	12/24v DC
Output Power	60w
No. Output Cables	1
Wiring	Parallel
IP Rating	IP20
Dimmable	No
Warranty	2 Years Replacement

## DIMENSIONS



## SAMPLE INSTALLATION DIAGRAM



\*Recommended maximum Load of 48w (80%)

## COMPATIBLE WITH



All Low Voltage Light Fittings and LED Strip



IP RATING

APPROVAL



## PRODUCT ORDERING

Image	Part Number	OUTPUT VOLTAGE
	TLI-U12PS09-60W	12V DC
	TLI-U12PS09-60W	24V DC

# TLI-U12/24PS09-60W IP20 LED DRIVER

MODEL		TLI-U12PS09-60W	TLI-U24PS09-60W
OUTPUT	DC VOLTAGE	12V	24V
	RATED CURRENT	5A	2.5A
	CURRENT RANGE	0-5A	0-2.5A
	RATED POWER	60W	
	RIPPLE&NOISE(max)	< 350mV	< 400mV
	VOLTAGE TOLERANCE	±0.5V	
INPUT	VOLTAGE RANGE	100-240VAC	
	FREQUENCY RANGE	50/60Hz	
	POWER FACTOR(Typ.)	0.5	

## TLI-U12PS09-60W



## TLI-U24PS09-60W

